

SMD LED LAMP

BL-LS5050A0S3xxx

Features:

- 5.5mmx5.0mm SMD, 1.8mm THICKNESS PLCC6 package
- RGB type, Ultra brightness
- Compatible with automatic placement equipment
- WIDE VIEWING ANGLE.
- IDEAL FOR BACKLIGHT AND INDICATOR.
- PACKAGE: 500PCS/REEL
- RoHs Compliance



■ Electrical-optical characteristics: (Ta=25°C) (Test Condition: IF=20mA)

Part Number	Chip			Lens Type	Forward Voltage(VF) Unit:V		Luminous Intensity (lv) Unit:mcd		Viewing Angle 2θ1/2 (deg)
	Emitted Color	Material	λ _p (nm)		Typ	Max	Min.	Typ.	
					Red	AlGaAs	660	2.10	
BL-LS5050A0S3 RGBC	Green	GaP	574	2.20	2.50	28	50	120	
	Blue	InGaN	470	3.10	4.20	70	120		
	BL-LS5050A0S3 URUGUBC	Ultra Red	AlGaInP	630	2.10	2.50	280		420
Ultra Pure Green		InGaN	525	3.10	4.20	1300	1500		
Ultra Blue		InGaN	470	3.10	4.20	450	500		

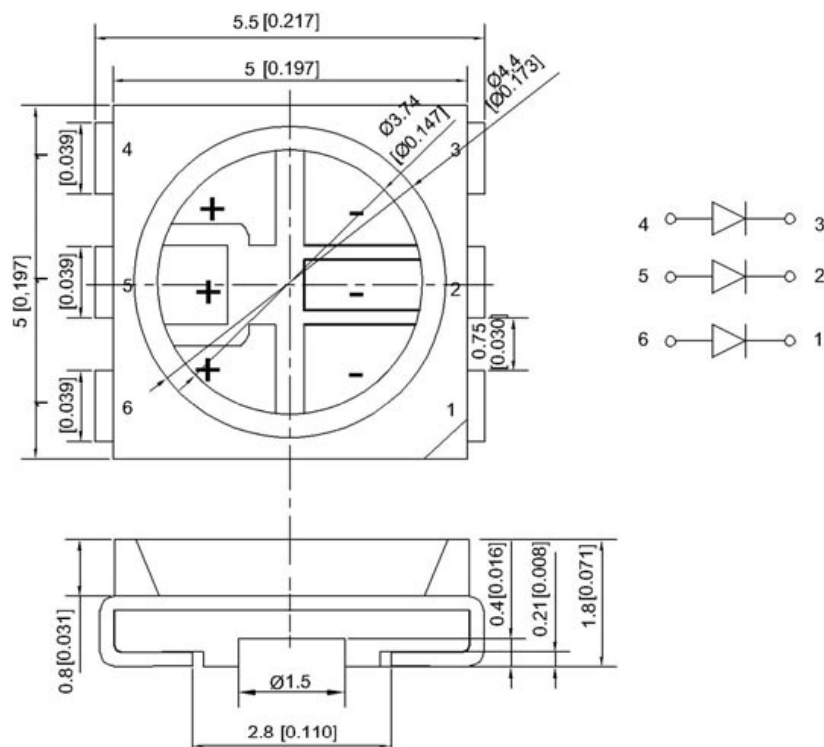
■ Absolute maximum ratings (Ta=25°C)

Parameter	R	G	B	UR	UG	UB	Unit
Forward Current I _F	30	30	30	30	30	30	mA
Power Dissipation P _d	78	78	78	78	78	78	mW
Reverse Voltage V _R	5	5	5	5	5	5	V
Peak Forward Current I _{PF} (Duty 1/10 @1KHZ)	100	100	100	100	100	100	mA
Operation Temperature T _{OPR}	-30 to +80						°C
Storage Temperature T _{STG}	-40 to +85						°C
Lead Soldering Temperature T _{SOL}	Max.260±5°C for 3 sec Max. (1.6mm from the base of the epoxy bulb)						°C

SMD LED LAMP

BL-LS5050A0S3xxx

■ Package configuration & Internal circuit diagram



Notes:

1. All dimensions are in millimeters (inches)
2. Tolerance is $\pm 0.25(0.01)$ unless otherwise noted.
3. Specifications are subject to change without notice.

SMD LED LAMP

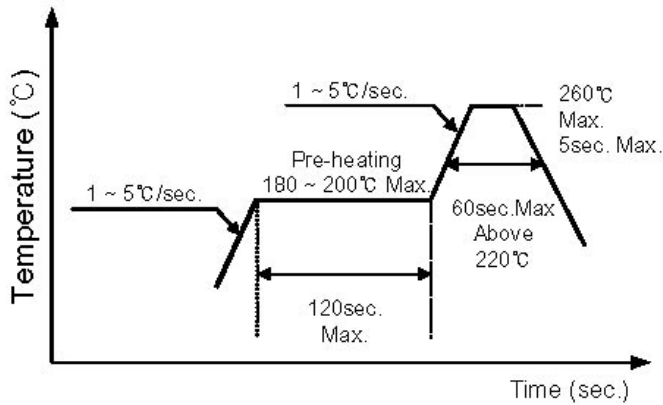
BL-LS5050A0S3xxx

■ **Tape Specifications**

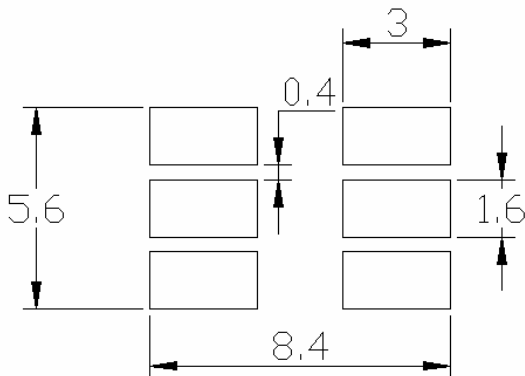
Smt Reflow Soldering Instructions

Number of reflow process shall be less than 2 times and cooling process to normal temperature is required between first and second soldering process

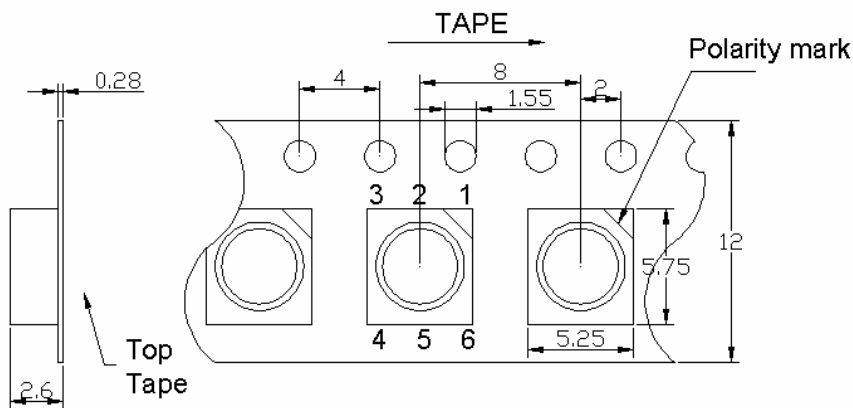
■ **Lead-free Solder**



Recommended Soldering Pattern (Units:mm)



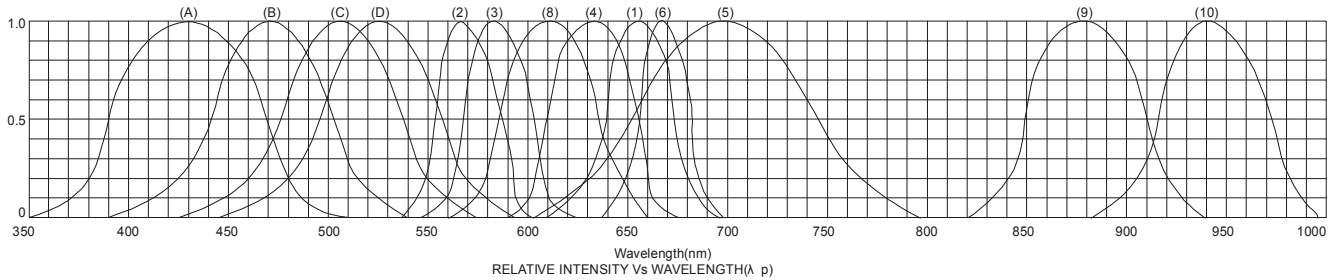
Tape Specifications (Units:mm)



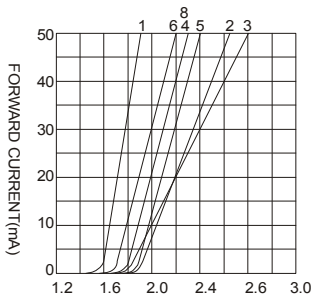
SMD LED LAMP

BL-LS5050A0S3xxx

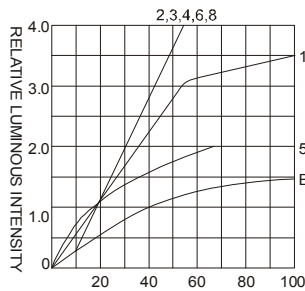
Typical electrical-optical characteristics curves:



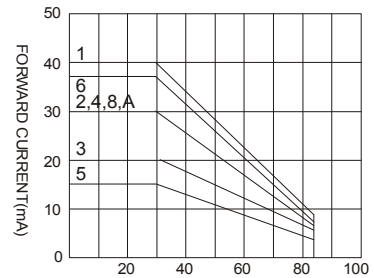
- (1) - GaAsP/GaAs 655nm/Red
- (2) - GaP 570nm/Yellow Green
- (3) - GaAsP/GaP 585nm/Yellow
- (4) - GaAsP/GaP 635nm/Orange & Hi-Eff Red
- (5) - GaP 700nm/Bright Red
- (6) - GaAlAs/GaAs 660nm/Super Red
- (8) - GaAsP/GaP 610nm/Super Red
- (9) - GaAlAs 880nm
- (10) - GaAs/GaAs & GaAlAs/GaAs 940nm
- (A) - GaN/SiC 430nm/Blue
- (B) - InGaN/SiC 470nm/Blue
- (C) - InGaN/SiC 505nm/Ultra Green
- (D) - InGaN/SiC 525nm/Ultra Green



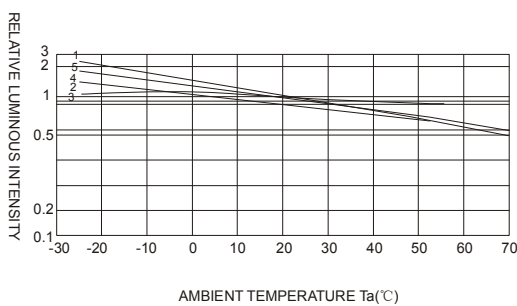
FORWARD VOLTAGE (Vf)
FORWARD CURRENT VS.
FORWARD VOLTAGE



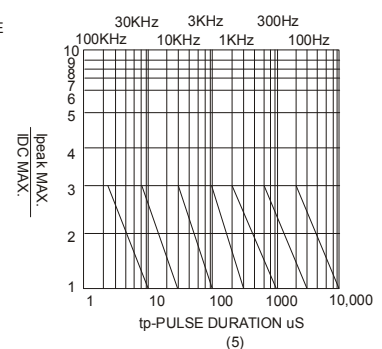
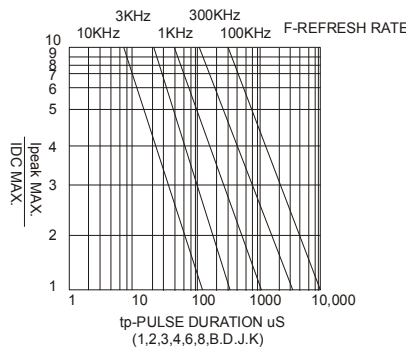
FORWARD CURRENT (mA)
RELATIVE LUMINOUS
INTENSITY VS. FORWARD
CURRENT



AMBIENT TEMPERATURE Ta(°C)
FORWARD CURRENT VS. AMBIENT
TEMPERATURE



AMBIENT TEMPERATURE Ta(°C)



NOTE: 25°C free air temperature unless otherwise specified

SMD LED LAMP

BL-LS5050A0S3xxx

■ **Packing and weighting**

